



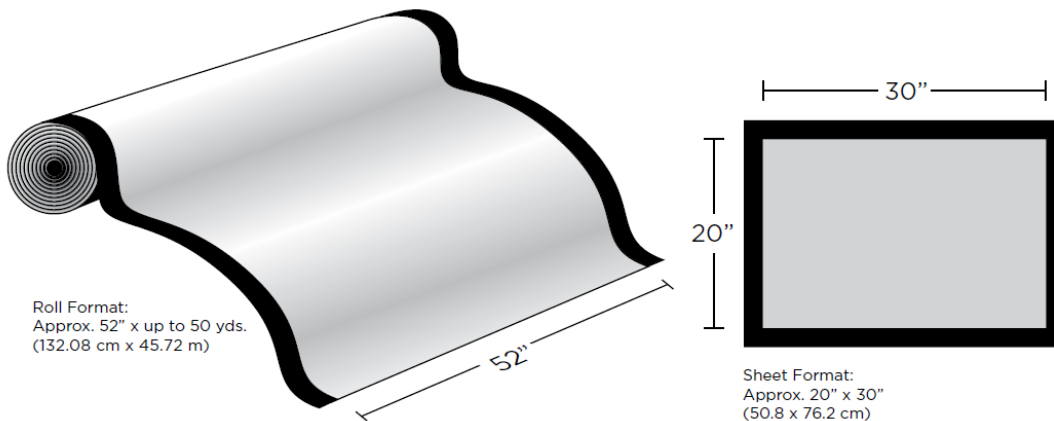
Abrasion Resistance of SuperFabric® materials from Lowest to Highest

Item Number	Cycles	Item Number	Cycles
600256-905	420	700149-700	2600
600135-905	500	700810-935	2600
600256-900	550	600100-960	2700
700180-905	900	600200-900	2700
700180-900	1000	701020-905	2800
600815-900	1250	700665-780	2850
600815-905	1400	700690-720	2900
700108-962	1500	600107-905	3000
700105-905	1600	700665-720	3000
600147-780	1650	700300-722	3050
700554-700	1700	700305-722	3050
700149-800	1800	600195-960	3100
601070-925	2000	600195-962	3200
700538-800	2000	600107-900	3400
700108-960	2050	700665-620	3500
601050-620	2200	700665-920	3600
700105-900	2250	701020-900	3800
700192-638	2300	700590-701	3900
600100-962	2400	700665-930	4050
600120-905	2400	700665-953	4050
600200-905	2500	700670-620	4100
601050-905	2500	700665-910	4500
700538-700	2500		

Abrasion test are performed using a Taber tester with an H18 wheel and 1000 gram load

SuperFabric® material Formats:

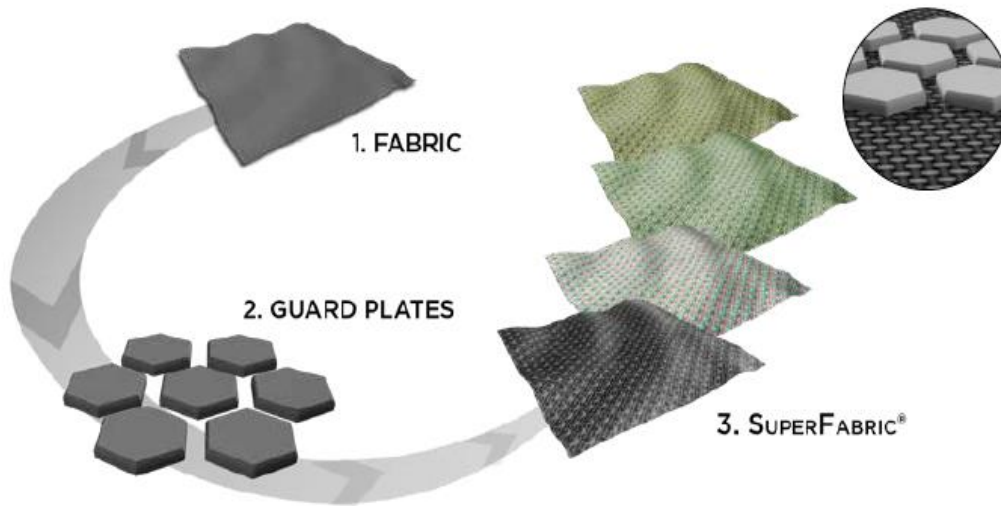
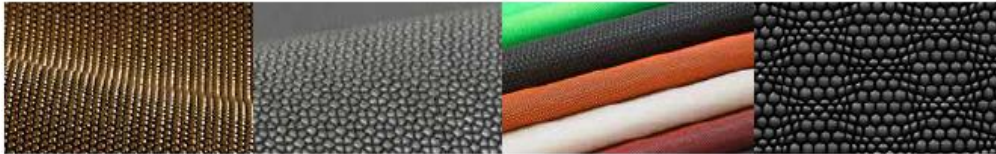
SuperFabric® materials are available in rolls or sheets. Item numbers that begin with 6 are roll items and item numbers that begin with 7 are sheet items. The measurements indicate the approximate areas of printed guard plates, not the sizes of the fabric they are printed on. Black edges indicate approximate areas of unprinted fabric.



GUARD PLATE COLORS

 700 RAVEN BLACK* PANTONE 426C	 720 ONYX BLACK** PANTONE 426C	 905 DUSKY BLACK* PANTONE 447C	 962 MYSTIC BLACK* PANTONE BLACK C	*Semi-matte finish **Semi-gloss finish ***Matte finish
 620 STORMCLOUD GRAY** PANTONE 425C	 800 CHARCOAL GRAY** PANTONE 446C	 900 PEWTER GRAY*** PANTONE 425C	 960 DOLPHIN GRAY** PANTONE 425C	
 920 MUSHROOM PANTONE 403C	 930 RED WINE PANTONE 201C	 953 PUMPKIN ORANGE PANTONE 1595C	 925 SANDSTONE TAN PANTONE 7529C	 780 NUTMEG BROWN PANTONE 463C
 910 SLATE BLUE PANTONE 7462C	 935 SILVER PANTONE 877C	 638 COYOTE BROWN PANTONE 4485C	 089 HI-VIS YELLOW PANTONE 388C	 722 EGGSHELL WHITE PANTONE COOL GRAY 1C
 950 TURKISH COFFEE PANTONE 440C	 812 OLIVE GREEN† PANTONE 5753C	 774 BONE WHITE† PANTONE 7541C	 027 MINT† PANTONE 344C	 033 MULBERRY† PANTONE 5125C
 036 SKY BLUE† PANTONE 7542C	 968 MULTI-CAM (FR)‡ PANTONE 7497C	 016 FR BLACK‡ PANTONE BLACK C	Colors shown are just an approximation to actual color. Perceived color will depend on many factors including lighting, base fabric color, pattern, etc.	
			†Available as special order only.	
			‡Fire-resistant guard plates. Available as special order only.	

SuperFabric® technology starts with a fabric and overlays it with tiny plates (“guard plates”) in a specific arrangement. The gaps between guard plates allow complete flexibility. The geometry, thickness, and size of the guard plates, as well as the fabric, can be varied depending on the desired attributes. SuperFabric® materials are designed to deliver a range of performance features such as abrasion resistance, stain resistance, quick drying, weight reduction and more.



TECHNOLOGY

The key to this remarkable material is the fact that locally, the guard plates are hard. Globally, the plates allow full motion which gives SuperFabric® a feel similar to traditional fabrics.



Side View: Small guard plates allow a high degree of flexibility while providing superior protection

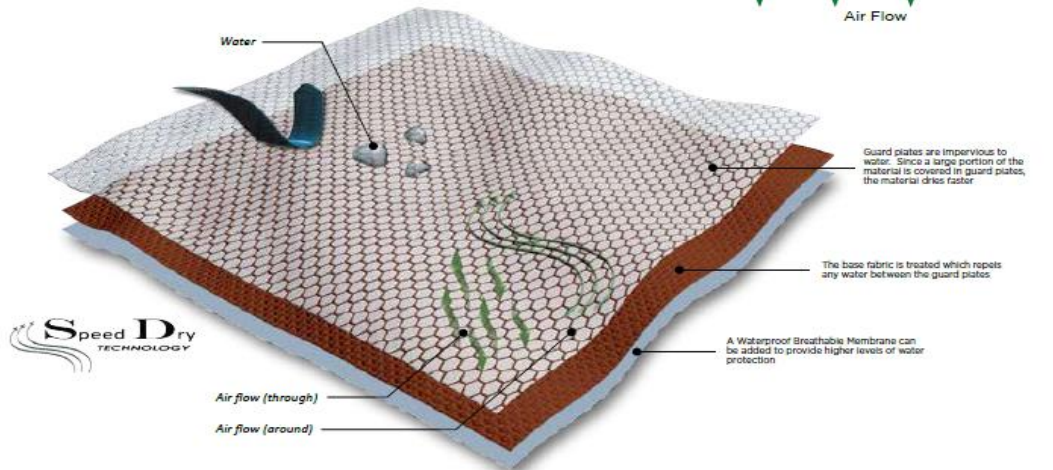


Side View: Shows integration of guard plates, spacing, and fabric

Benefits of SuperFabric® materials

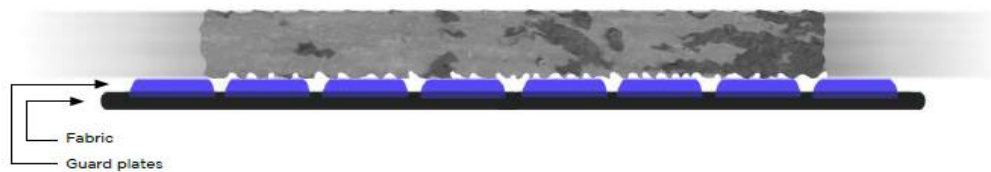
• QUICK-DRYING

SuperFabric® drying is the result of a 3-pronged system that quickly dries while keeping the elements on the outside and contents dry on the inside. Impervious guard plates, repellent fabric, and optional waterproof breathable membranes are part of the Speed Dry advantage.



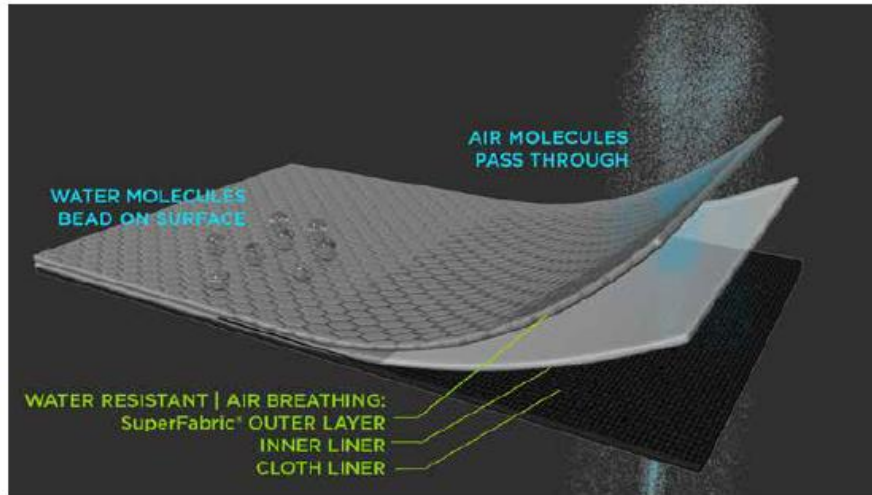
• ABRASION RESISTANT

The guard plates are ready to fend off rock, ice, brush, debris, scuffs, and scrapes. The guard plates don't just look pretty, they perform day in and day out. SuperFabric® materials won't snag like knit fabrics. SuperFabric® is used in demanding applications that require abrasion resistance, such as motorcycle apparel, ski and snowboard apparel, footwear, and more.



- **BREATHABLE AND WATER RESISTANT**

Breathability: the ability of a fabric or material to transmit air and moisture. Lots of materials are, of course, breathable. However, being breathable while still being water resistant is a much taller order. By their inherent construction, SuperFabric® materials are both air breathing and water repellent.



- **STAIN RESISTANT**

SuperFabric® is highly resistant to stains from mud, dirt, grease, and liquids such as oil, sauces, and more. This ALTAI™ boot, made with SuperFabric® material, resists mud and is easy to rinse clean with a garden hose or under a running faucet.



MUSTARD



AFTER RINSE